

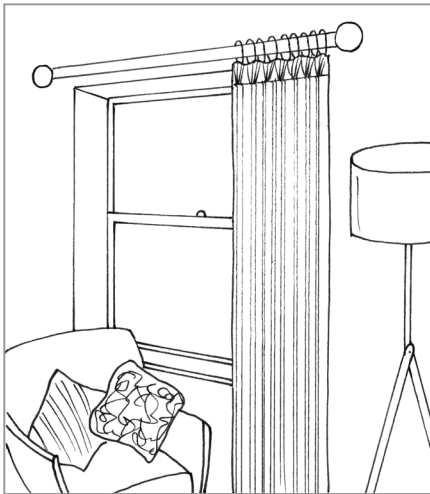
# How to measure for curtains

Use a metal tape measure for accuracy. Measurements should be in cm to the nearest 0.5cm. Double check your measurements.

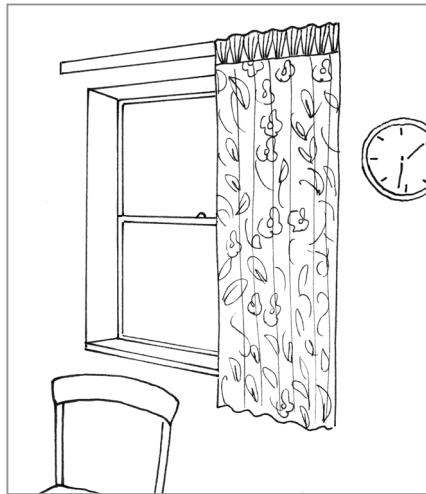
	Window name	Width <b>W</b>	Drop <b>D</b>
Dimensions		cm	cm

## 1 Choose your curtain type

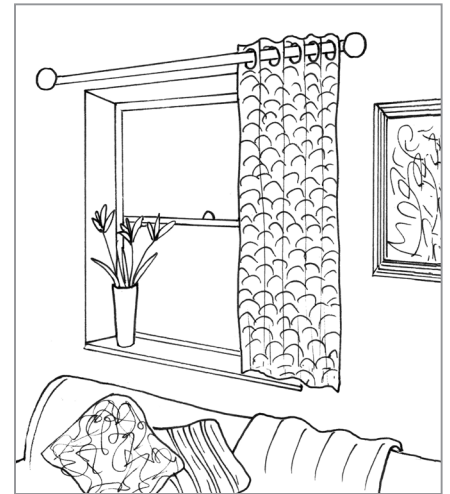
Your track or pole must be in place for accurate measurements.



A - Pleated heading on a pole



B - Pleated heading on a track



C - Eyelet heading on a pole

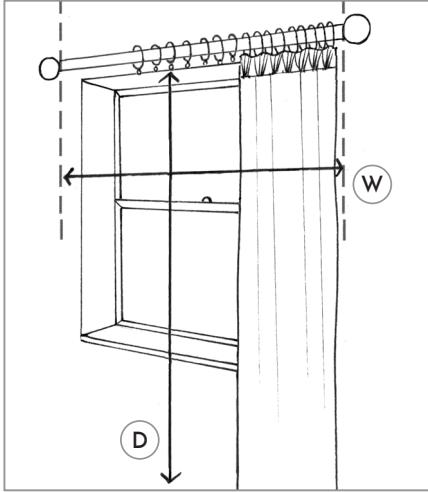
## 2 Choose your curtain length

Before you measure, follow our suggestions for the perfect length curtains:

Curtain length	Sill length	Below sill	Floor length
Measure	to sill - 1cm	to sill + 15cm	to floor + 1cm

\*For uneven floors: measure the drop in 3 places and choose the longest measurement.

### 3 Get measuring!

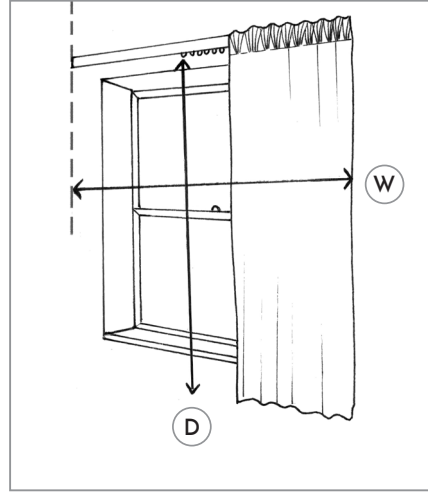


**A - Pleated heading on a pole**

**W** Width of the pole between finials

**D** Drop from the pole eyelets to your finished length

- We will add 2cm of fabric above your hooks for the heading height.

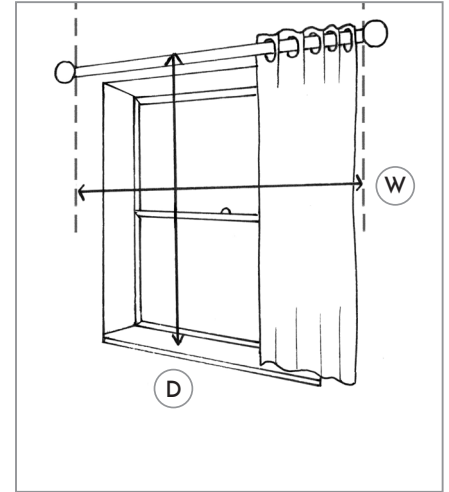


**B - Pleated heading on a track**

**W** Width of the entire track

**D** Drop from the track eyelets to your finished length

- We will add 3cm of fabric above your hooks for the heading height (or 1cm if your track is ceiling fixed).



**C - Eyelet heading on a pole**

**W** Width of the pole between finials

**D** Drop from the top of the pole to your finished length

Order online or call 01394 775 670