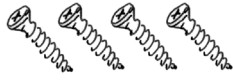


Fitting your Roman blind

Instructions for Roman blind with cord and cleat

What you get with your blind:



2-4 wood screws



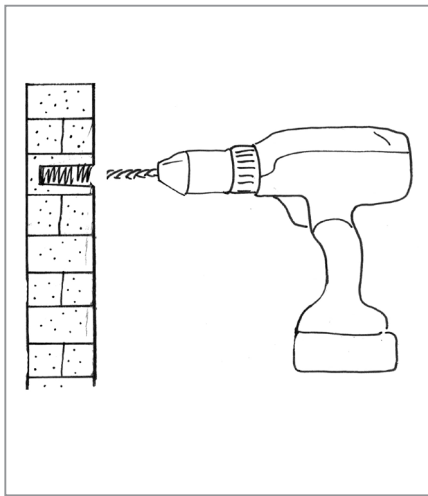
2-4 wall plugs



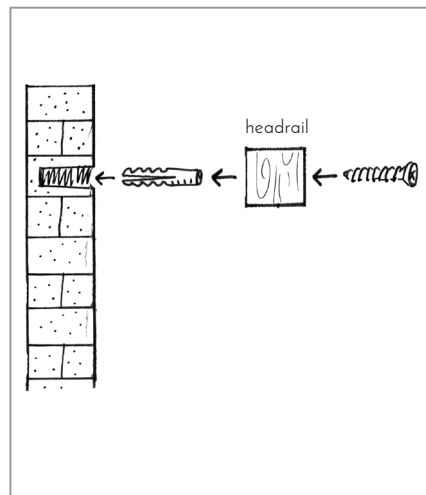
1 brass cleat with 2 brass screws

1 Attach your headrail

To masonry

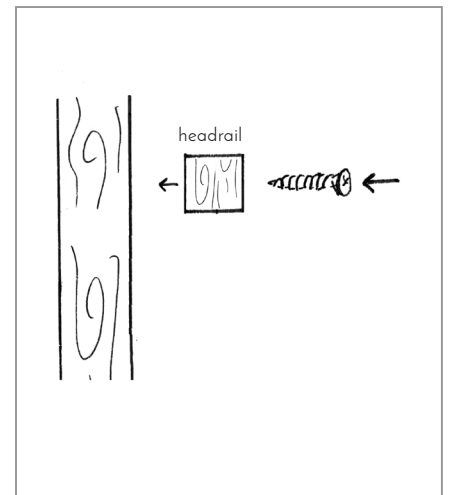


A - Drill a hole using a 7mm masonry drill.



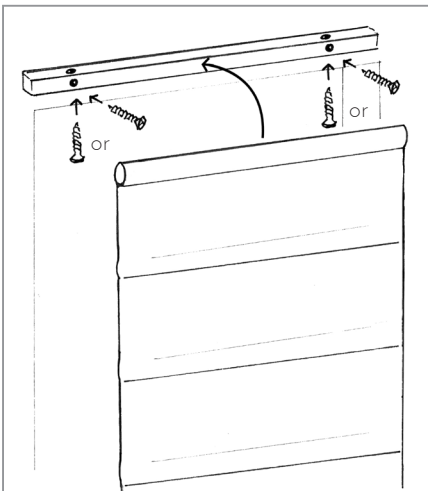
B - Then use the wall plugs and wood screws provided.

To wood

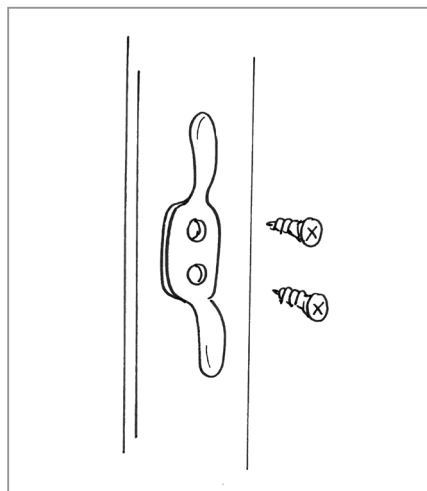


C - Simply use the wood screws provided.

2 Attach your blind to the headrail and secure the cleat



A - Attach blind using the velcro strips.



B - Fit the brass cleat to the window frame or the wall as high as possible and ensure the cord is fully wound round the cleat after each operation.

