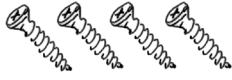


# Fitting your Roman blind

## Instructions for Roman blind with sidewinder

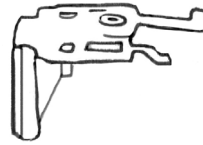
What you get with your blind:



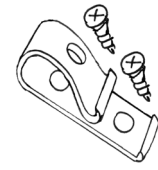
4-8 wood screws



4-8 wall plugs



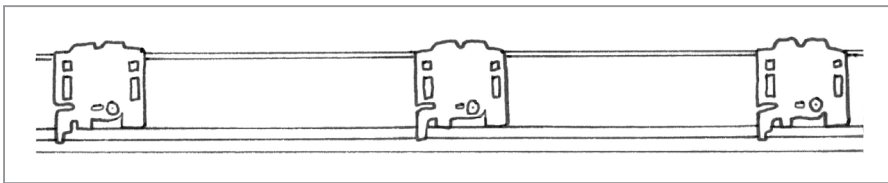
Brackets (2-4)



1 safety clip with 2 screws

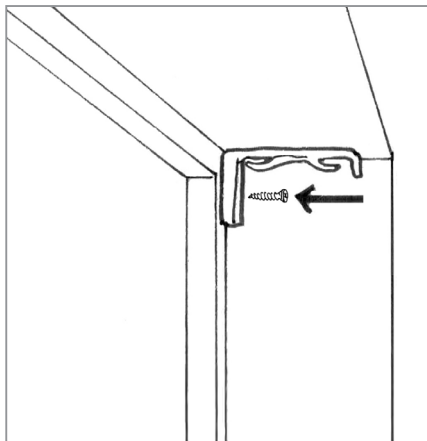
1

### Position and install the brackets

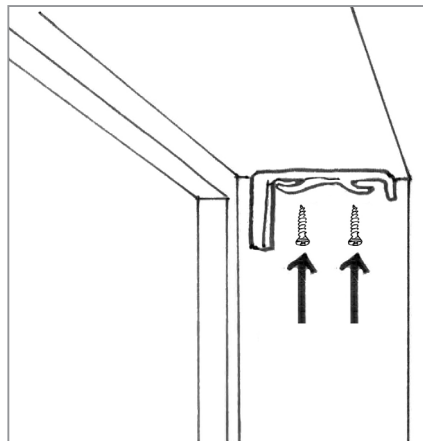


#### i - Bracket position

Place blind in fitting position and space the brackets evenly.



A - Face Fixing



B - Top Fixing

#### ii - Face Fixing

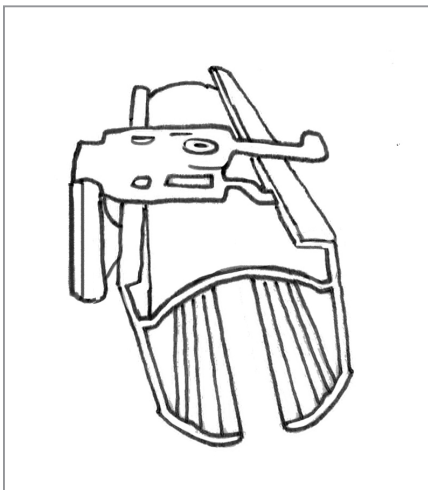
Position bracket against the surface and mark out the holes in the back of the bracket. Use wall plugs if fitting to the wall.

#### Top Fixing

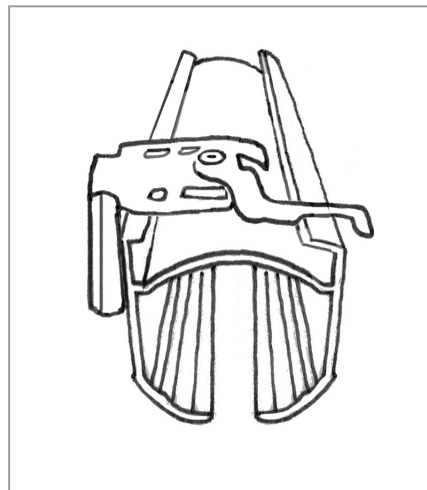
Position bracket against the surface and mark out the holes in the top of the bracket. Use wall plugs if fitting to the wall.

2

### Fit the headrail



A - Swing arm open



B - Swing arm closed

#### Position the swing arm

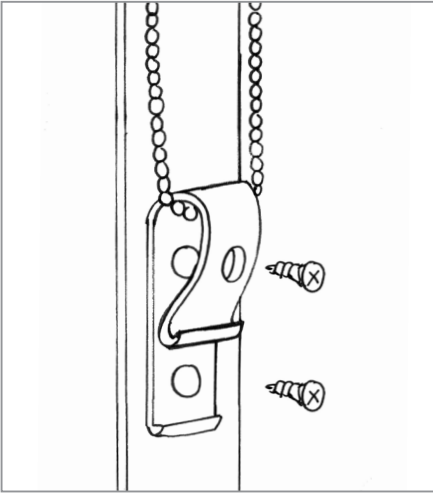
Push swing arm anti-clockwise as far as it will go. Now clip the blind over the bracket.

i - Ease the front lip of the headrail into place.

ii - Push swing arm clockwise until it locks in to place, firmly holding the blind headrail.

### 3 Fix the safety clip

This **MUST** be securely fixed, using screws and wall plugs, to an adjacent wall. Insert the chain into the safety clip prior to fixing and ensure that it keeps the chain taut at all times.



**MAKE IT SAFE!**

Read the child safety leaflet included with this product to ensure your blind is safely installed