

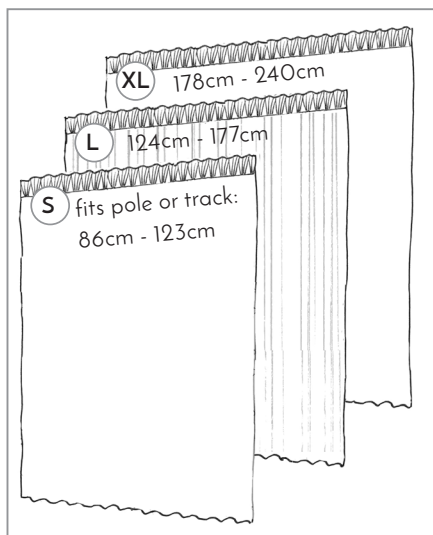
How to measure for ready made curtains

Please note: Natural Curtain Company does not provide an alteration service for our ready made curtains but they can be easily altered by most dry cleaners if you need to reduce the drop (length). Our ready made curtains are sold in pairs.

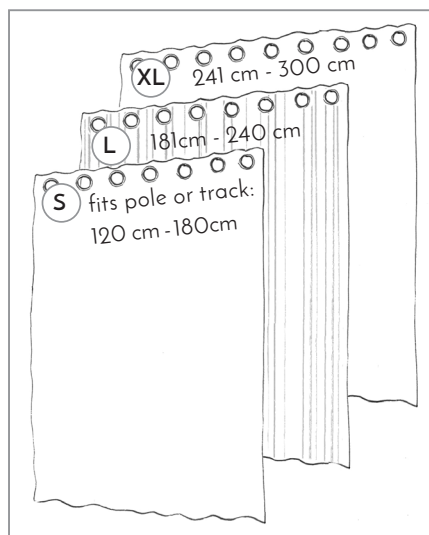
Window name	Heading type	Width W	Drop D
Your dimensions	Pencil pleat / Eyelet	S / L / XL	137cm / 183cm / 228cm / 274cm
	Pencil pleat / Eyelet	S / L / XL	137cm / 183cm / 228cm / 274cm
	Pencil pleat / Eyelet	S / L / XL	137cm / 183cm / 228cm / 274cm
	Pencil pleat / Eyelet	S / L / XL	137cm / 183cm / 228cm / 274cm

1 Choosing your curtain width

There are three widths available, Standard, Large and Extra-Large for pencil pleat and eyelet ready made curtains. Measure the width and select the most suitable option in the table above.



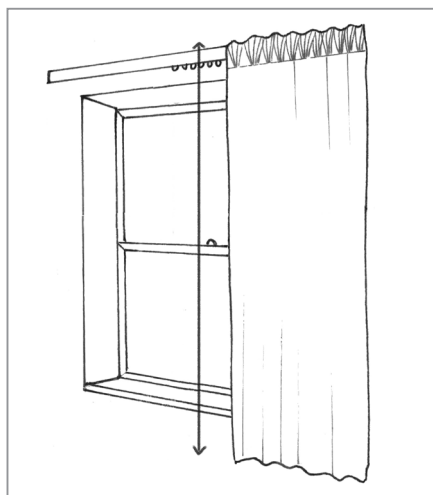
A - Pencil pleat heading on pole or track



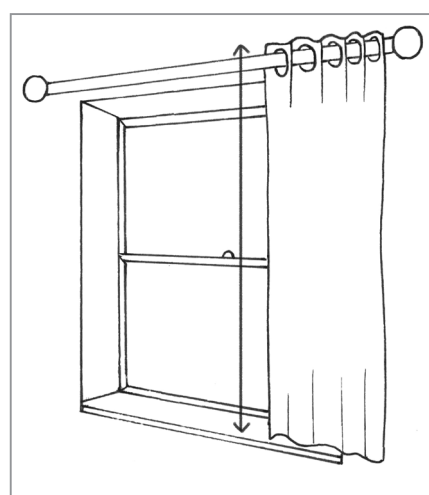
B - Eyelet heading on pole

2 Choosing your curtain drop

There are four drops (lengths) available. Measure your ideal drop and select the closest match in the table above.



A - Pencil pleat heading on pole or track

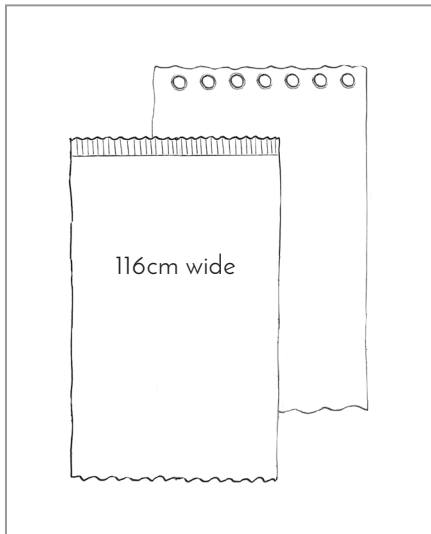


B - Eyelet heading on pole

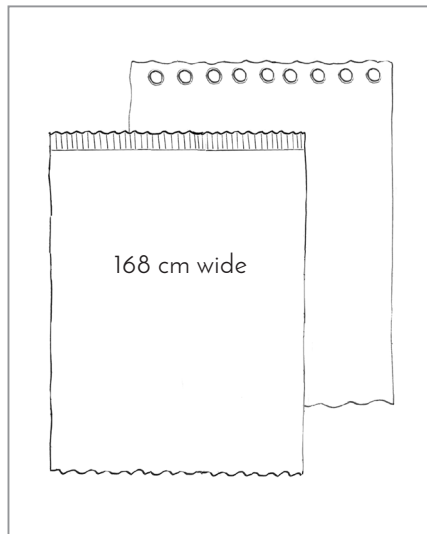
3

The flat width of each curtain

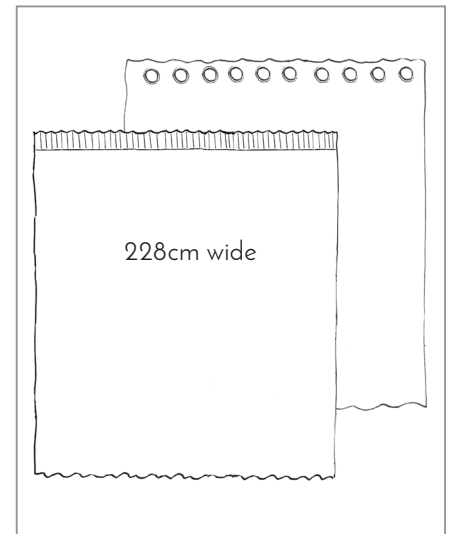
The widths shown below are for **each** curtain in your pair before they are gathered to your desired width.



Standard



Large



Extra large

Order online or call 01394 775 670