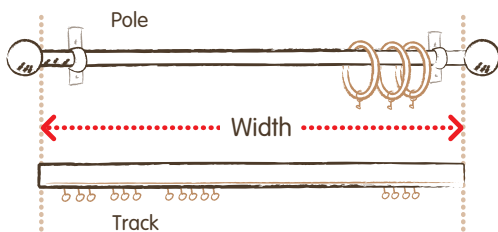


How To Measure For Curtains

To avoid mistakes, your curtain pole or track should be in place already. You can make calculations without a pole or track but are more likely to get incorrect measurements. We advise you use a metal tape measure for accuracy. Measurements should be in cm to the nearest 1/2 cm. **Please double-check your measurements.**

1. Measure Width

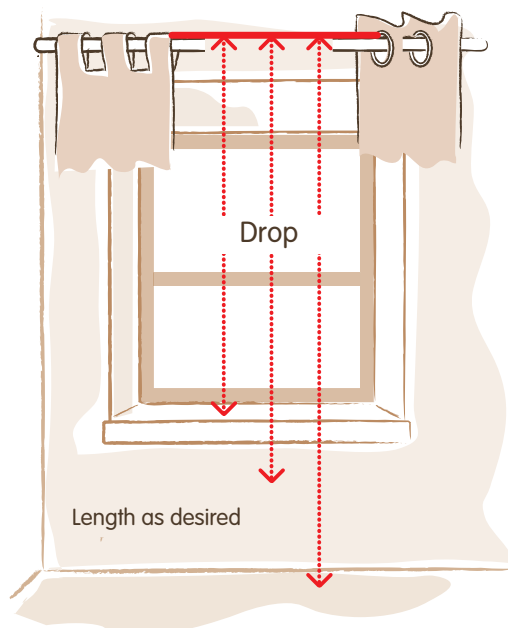


If you have a pole, measure the distance between the finials (the decorative baubles at the end of a pole).

If you have a track, measure the total length of the track.

2. Measuring Curtain Drop

Before you start, you have to decide where you want your curtains to finish. For floor-length curtains, we suggest curtains 1.5cm longer than floor-length. If your floors are uneven, make sure you measure each side of the window and choose the longest measurement. For sill length curtains, we suggest either 15cm below the sill or 1-2cm above it.



Measuring Drop for Tab Top and Eyelet Headed Curtains

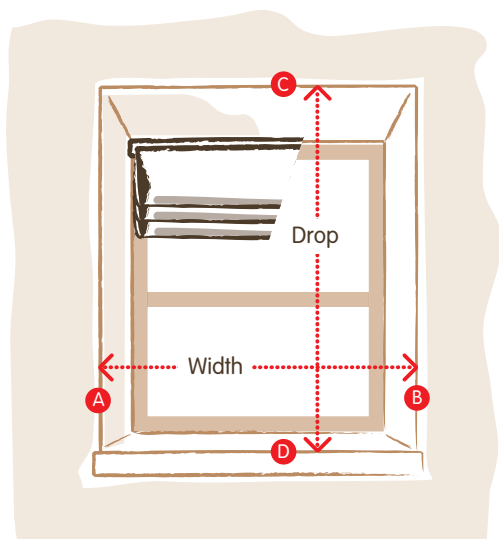
For tab top or eyelet curtains, measure the drop from the top of your pole to where you want your curtain to finish. (Please note: tab top and eyelet headed curtains cannot be fitted to a track.)

For pleated headings see next page...

How To Measure For Roman Blinds

We advise using a metal tape measure for accuracy. Measurements should be in cm to the nearest 1/2 cm.
Please double-check your measurements.

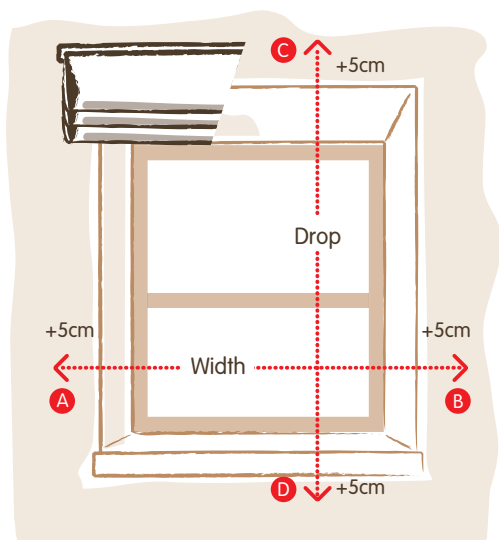
The three scenarios for measuring Roman Blinds are:



Inside Recess

1. Inside Recess

1. Measure width A-B at the narrowest point so your blind can hang freely
2. Measure Drop C-D
3. Note which side you would like the cord – right or left



Outside Recess

2. Outside Recess

First check for obstructions that might stop your blind hanging freely and then decide on the amount of fabric to overlap the top and sides of the window recess. We recommend at least 5cm for both.

1. Measure the width you decide on, A-B
2. Measure the drop you decide on, C-D
3. Note which side you would like the cord – right or left

